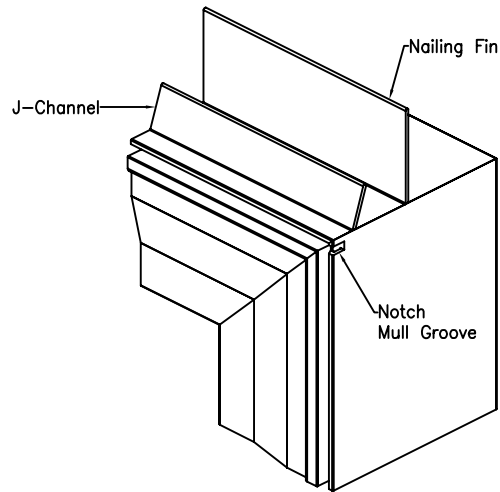


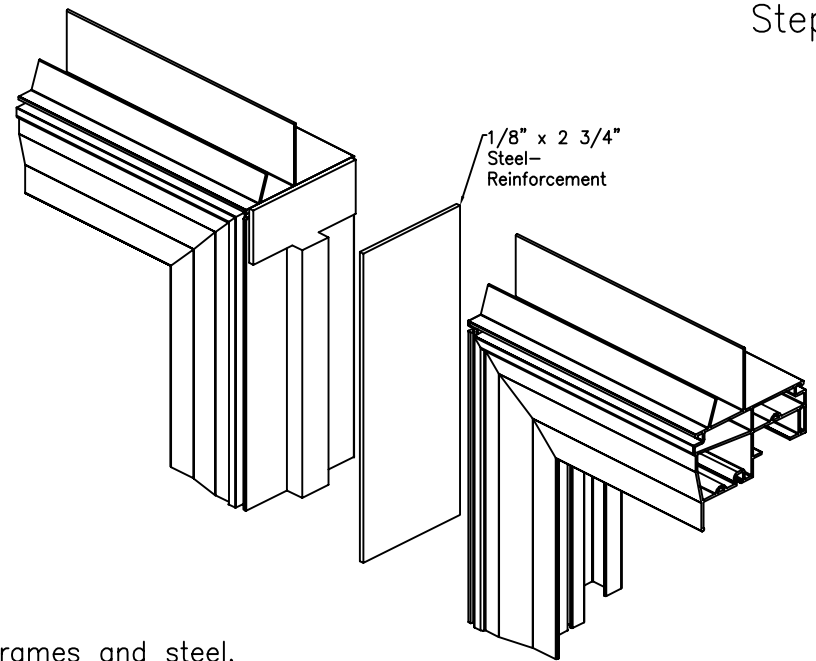
4340 Single Hung Mulling Instructions

Step 1



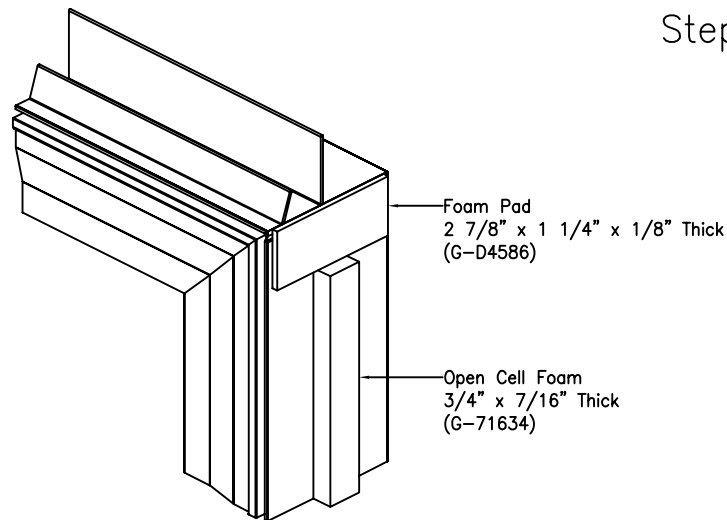
Remove the nailing fin and J-channel from units to be mullied, as shown. Notch mullion grooves at top of units for drip cap return.

Step 3



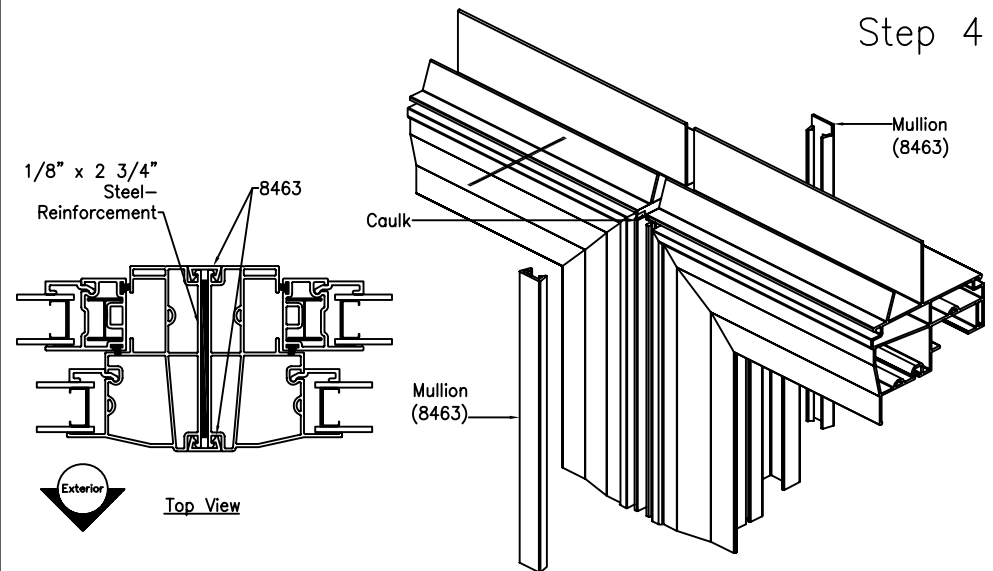
Align frames and steel.

Step 2



Apply (1) foam pad at top and bottom of window.
(Apply pads to one window only).
Apply full length open cell foam between foam pads.
(Apply foam to one window only).

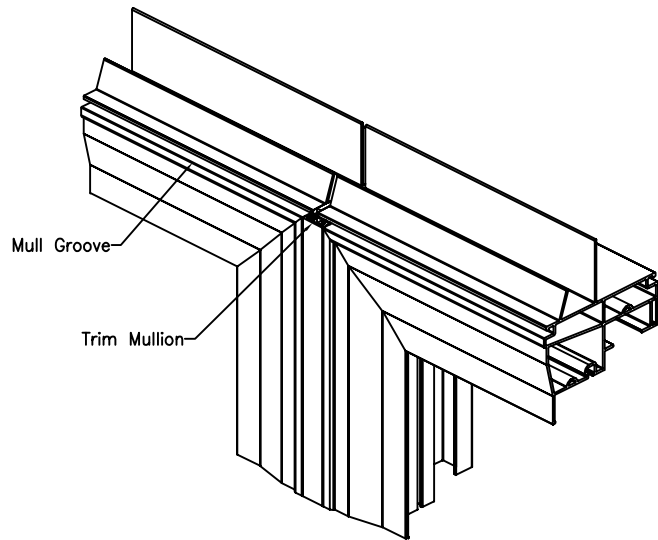
Step 4



Slide frames together, with steel in between, and apply inside mullion. Caulk along joint between the frames, as shown, and apply outside mullion.

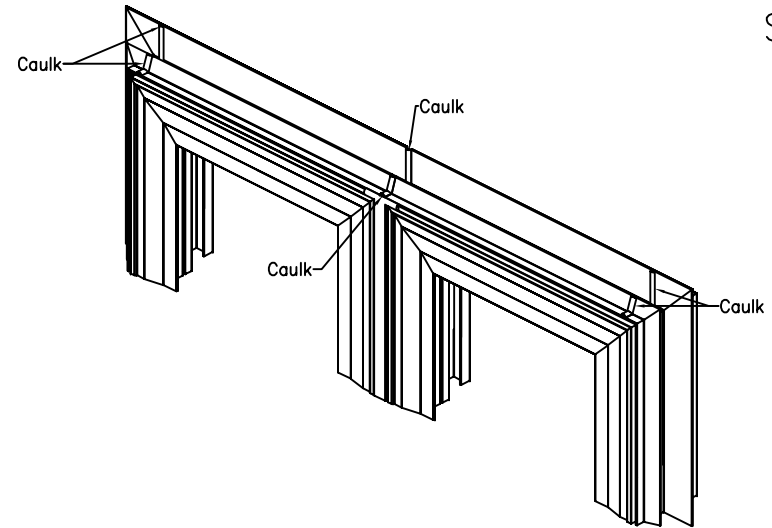
4340 Single Hung Mulling Instructions

Step 5



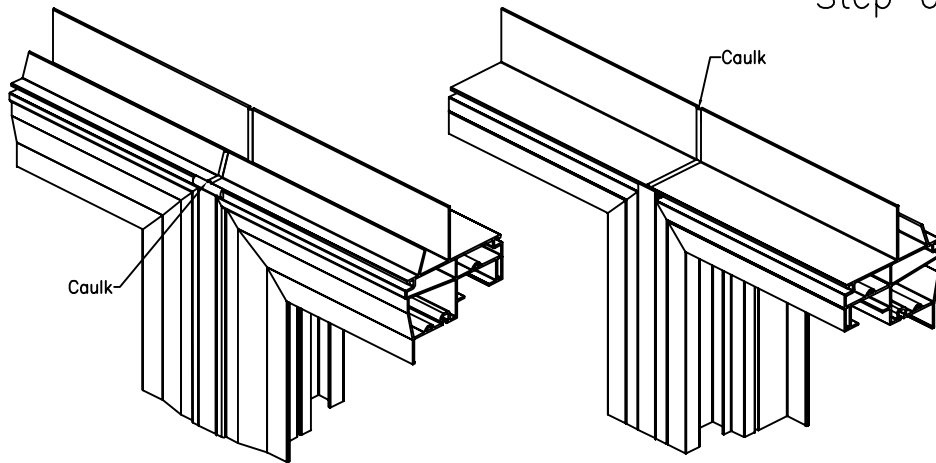
Trim outside mullion even with mull groove at the top, to allow for drip cap installation, and flush with sill at the bottom.

Step 7



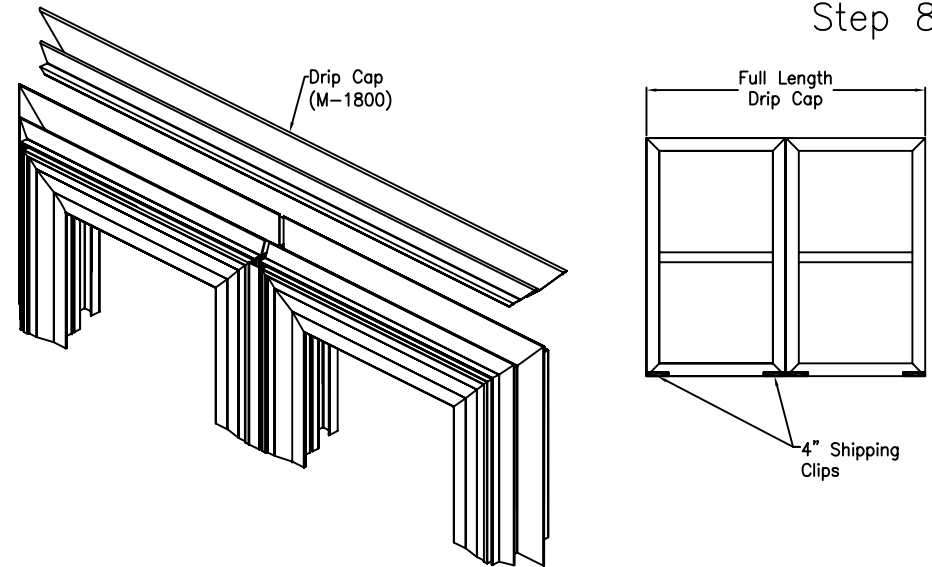
Important: Use a quality exterior grade silicone caulk. Apply a 1/4" bead of caulk across the head of both windows, as shown, before applying drip cap. Apply caulk across ends of frames and up both the nailing fins and the J-channels.

Step 6



Important: Use a quality silicone when caulking.
Apply caulk across joint where frames meet (head and sill).
Apply caulk across joint where nailing fins meet.
Apply caulk into mull grooves and across top of mull.

Step 8



Apply a continuous drip cap to the head.
Apply two 4" shipping clips to the sill of each window.